



1. Product Name

DuraLife™ MVP™

2. Manufacturer

Integrity Composites, LLC
 dba DuraLife Decking & Railing
 8 Morin Street
 Biddeford, Maine 04005
 Phone: 800-866-8101
 Email: info@duralifedecking.com
 Web: www.duralifedecking.com

3. Product Description

DuraLife manufactures composite decking and docking systems with outstanding aesthetics, performance, durability and strength. Comprised of durable polypropylene and hardwood fiber, the proven formula and versatility of DuraLife decking outperform both polyethylene composite and PVC decking.

Basic Use

DuraLife MVP is an economical and eco-friendly composite decking with a natural wood appearance designed to complement outdoor spaces. With recycled content and a durable, multi-layered finishing system that resists fading over time, DuraLife MVP is suited for exterior walkways, pathways, decks, balconies and other applications where maximum value is a priority.

DuraLife MVP is suited for commercial and residential new construction and renovation projects.

Types

- Grooved – grooved on each edge
- Starter – Solid on one edge for outer perimeter; grooved on interior edge

Composition and Materials

DuraLife MVP is a co-extruded composite of wood fiber and polypropylene with a propylene capstock. MVP is manufactured without toxic chemicals or preservatives and uses both post-industrial and post-consumer recycled content, up to 90% by weight. Three surfaces are capped.

Colors

Landscapes Collection

- Coastal Grey
- Mahogany
- Pebble
- Slate

Hardwoods Collection

- Brazilian Cherry
- Garapa Gray
- Golden Teak
- Tropical Walnut

Sizes

See Table 1.

Benefits

- Provides premium aesthetics at an affordable price
- Resists spills and wear
- No need for annual staining or sealing
- Resists mold and mildew
- Minimizes sagging and flex between joists for improved aesthetics and integrity
- UV inhibitors increase color retention and eliminate graying
- Thermal resistance minimizes expansion and contraction damage
- Protective film adds protection onsite and during delivery
- Wide range of colors and collections increase design options
- Capped for protection from elements

| Table 1 - Sizes, Physical Characteristics | | | Table 2 - Technical Properties | | |
|---|--|--|----------------------------------|------------|--------------------------------|
| Product | MVP | Starter | Test | Standard | Result |
| Material | Polypropylene Hardwood composite | Polypropylene Hardwood composite | Modulus of Elasticity | ASTM D6109 | 430,000 psi |
| Surface | Capped | Capped | Modulus of Rupture | ASTM D6109 | 2700 psi |
| Dimension | 0.9" thick x 5.5" wide | 0.9" thick x 5.5" wide | Peak Load | ASTM D6109 | 700 lbf |
| Lengths* | 12', 16', 20' | 16' | Specific Gravity | ASTM D6111 | 1.15 g/cc |
| Weight | 1.6 lbs/linear foot | 2.16 lbs/linear foot | Coefficient of Friction, Dry | ASTM D2394 | 0.68 |
| Grain | Straight and wood grain | Straight and wood grain | Coefficient of Friction (Wet) | ASTM D2394 | 0.66 |
| Fastening system | Fastenator Hidden Fastening System, composite deck screws | Fastenator Hidden Fastening System, composite deck screws | Coefficient of Thermal Expansion | | 1.5 x 10 ⁻⁵ in/in F |
| Joist span | 16" on-center (90 degrees) 12" on-center (45 degrees) | 20" on-center (90 degrees) 16" on-center (45 degrees) | Heat Distortion | ASTM D648 | 210 degrees F |
| Stair tread span | 8" on-center | 12" on-center | Screw Withdrawal | ASTM D1761 | 1416 lbs |
| Fascia/riser length | 12' | | Termite Resistance | AWPA E1-72 | 9.5 |
| Fascia/riser dimensions | 1/2" | | Fungal Resistance | ASTM D1413 | No decay |
| Fascia width/ riser width | 11 1/2" 7.5" | 8" | | | |

*Custom lengths and colors are available; contact the manufacturer for availability.

Options, Accessories

- Fastenator™ hidden fastening clips
- Color-matched deck board end caps
- Color-matched (plus white) fascia and stair riser
- Rockport railing
- Railways railing

4. Technical Data

Applicable Standards

ASTM International

- **ASTM A6111** Standard Test Method for Bulk Density And Specific Gravity of Plastic Lumber and Shapes by Displacement
- **ASTM D648** Standard Test Method for Deflection Temperature of Plastics Under Flexural Load in the Edgewise Position

- **ASTM D6109** Standard Test Methods for Flexural Properties of Unreinforced and Reinforced Plastic Lumber and Related Products
- **ASTM D2394** Standard Test Methods for Simulated Service Testing of Wood and Wood-Base Finish Flooring
- **ASTM D1761** Standard Test Methods for Mechanical Fasteners in Wood
- **ASTM D1413** Standard Test Method for Wood Preservatives by Laboratory Soil-Block Cultures

American Wood Protection Association

- **AWPA E1-72** Standard Method for Laboratory Evaluation to Determine Resistance to Subterranean Termite

Technical Properties

See Table 2.

Safety Data Sheets

- DuraLife MVP, [Integrity Composites Safety Data Sheet](#)

5. Installation

Install these products in accordance with the manufacturer's written instructions and procedures.

Preparatory Work

Deliver and handle this product according to recommendations of the manufacturer.

Decking should be off-loaded by forklift or by hand. Store decking on a level area on wood supports placed every 3 feet. Store product protected from exposure to harmful environmental conditions and at temperature and humidity conditions within the guidelines recommended by the manufacturer.

DuraLife MVP has a protective film to keep deck boards clean and protected during shipping and storage. Remove factory applied protective film on deck boards within 30 days after installation.

DuraLife decking must be installed with proper drainage and ventilation. Verify site conditions are acceptable for installation. Do not proceed until unacceptable conditions are corrected.

Precautions

DuraLife decking must be installed with proper drainage and ventilation.

Never attach DuraLife decking to any solid surface, watertight membrane, concrete or existing decking.

Ensure that:

- Joists are level across each span, with a slight slant (1/8" (3 mm) for every 8 feet (2.4 m)
- Substructure has at least 2" (51 mm) clearance from grade
- Skirting does not impede airflow under the deck

To avoid accumulation of moisture and humidity where ventilation is minimal or obstructed, flow through or soffit venting must be added around the perimeter of the deck.

Methods

Install vapor retarders in accordance with manufacturer's instructions.

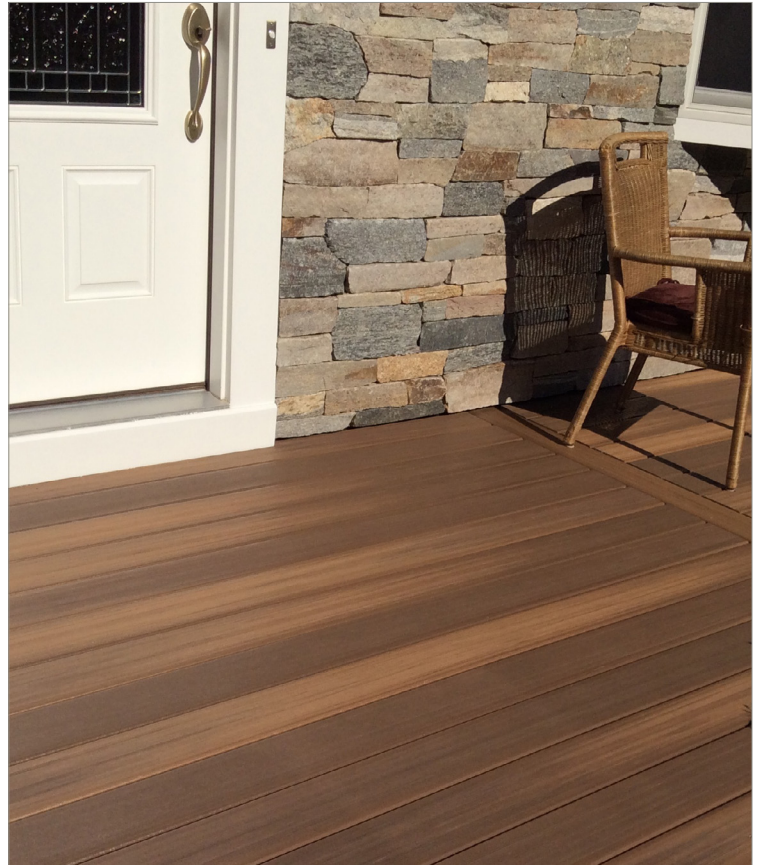
Complete installation instructions are available online:

- Installation guide: www.duralifedecking.com
- Videos: www.duralifedecking.com/resources/installation

Framing

A picture-frame method is recommended.

DuraLife Starter Board profile is available to provide a clean, finished edge around the perimeter of the deck and on stair treads.



When a picture-frame technique is not employed, color-matched deck board end caps are available to cover the exposed end cuts.

Fastening

Two methods are available:

- Proprietary Fastenator hidden fastening system, used with grooved decking to set a level, uniform 3/16" spacing between deck boards
- Capped composite decking screw fasteners (#10 x 2 3/4")

Spacing

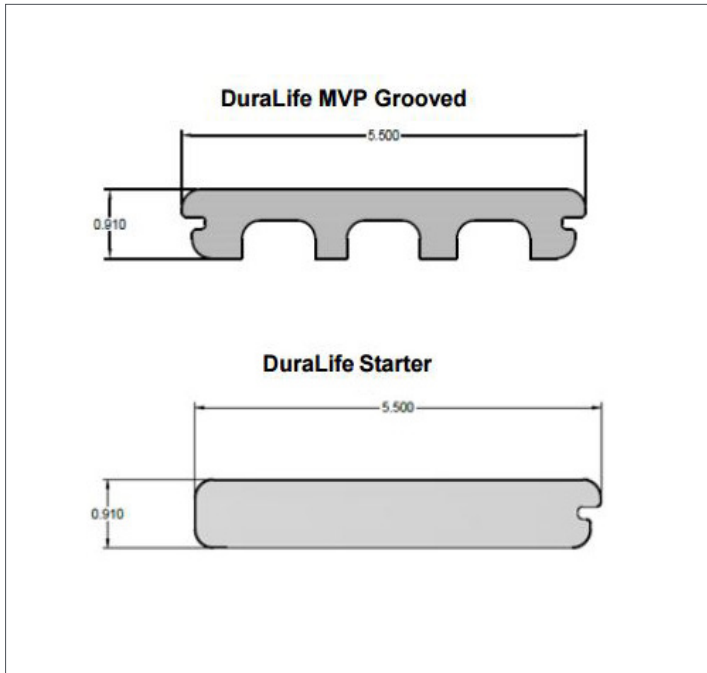
Around column platforms, always allow the greater of a 1/4" gap or the value from the Table 3 chart.

Environmental Considerations

Temperature range for structural performance is 20–125 degrees F. Ideal installation for Fastenator clips is 40–80 degrees F.

Building Codes

Ensure installation complies with the requirements of all applicable local, state and federal code jurisdictions.



For questions about specifications, code regulations, product usage or installation, contact DuraLife Decking & Railing or visit www.duralifedecking.com.

10. Filing Systems

- CMD
- Additional product information is available from the manufacturer upon request ↗

6. Availability and Cost

Availability

DuraLife products are available throughout the United States and internationally through a network of distributors and retailers.

Cost

Cost information for a specific region may be obtained from a local distributor or retailer of DuraLife products.

7. Warranty

Used and installed as directed, DuraLife Decking & Railing offers a 10 year commercial stain, fade and performance warranty against manufacturer defects and a 25 year residential warranty.

8. Maintenance

Sweep periodically and clean spills with soap and water. Only use pressure washers 1500 psi or less with fan tip. Test all cleaning products on an inconspicuous area before using on the entire deck surface.

Additional care and cleaning instructions are available online at www.duralifedecking.com.

9. Technical Services

DuraLife Decking & Railing has experienced teams of professionals who can provide detailed information, product literature, test results, project lists and assistance with project specifications.